



Wireless room temperature controller with large LCD

RDH10RF/SET

Non-programmable, for heating or cooling systems

- Large LCD
- Battery-powered: 2 x alkaline type AA batteries, 1.5 V
- RCR10/433 receiver

Use

The RDH10RF is used to control the room temperature in heating or cooling systems.

Typical applications:

- Homes
- Residential buildings
- Schools
- Offices

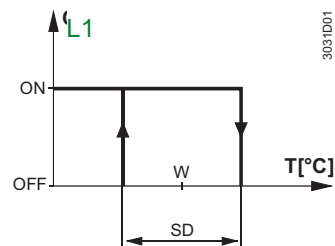
The controller is used together with the following equipment:

- Thermal valves or zone valves
- Combi boilers
- Gas or oil burners
- Fans
- Pumps

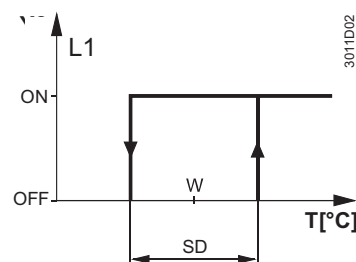
Functions

The controller acquires the room temperature with its integrated sensor.

Function diagram



T Room temperature
SD Switching differential
W Room temperature setpoint
L1 Output signal for heating



T Room temperature
SD Switching differential
W Room temperature setpoint
L1 Output signal for cooling

Temperature sensor

The RDH10RF provides room temperature control only.

Display

The digital display shows the actual room temperature and the comfort temperature setpoint. When the heating output is active, the triangle symbol appears.



Backup

When taking out the batteries, the setpoints and the information required for operating mode changeover are retained for maximum 2 minutes.

Ordering

When ordering, please give name and product number: Room temperature controller RDH10RF/SET.

Valves and actuators are to be ordered as separate items.

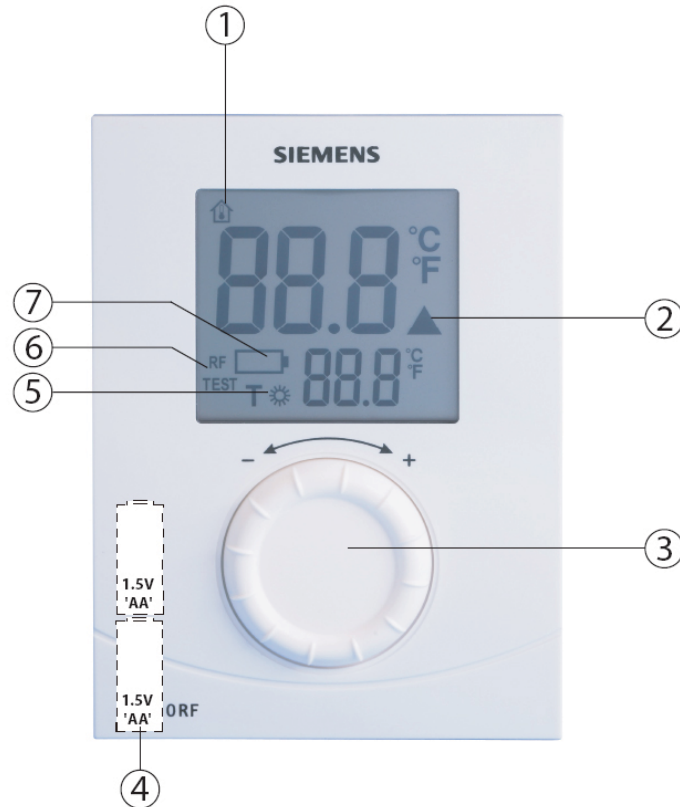
Equipment combinations

Type of unit	Product number	Data sheet
Electromotoric actuator	SFA21...	4863
Electrothermal actuator (for radiator valves)	STA21...	4877
Electrothermal actuator (for small valves 2.5 mm)	STP21...	4878
2- or 3-port zone valve	MXI/MVI421...	4867
Electromotoric actuator for zone valves V..146..	SUA21	4830
Electric actuator	SUA11/22	4832
Air damper actuator	GDB...	4624
Air damper actuator	GSD/GQD...	4606

The controller consists of 4 parts:

- Plastic housing with digital display accommodating the electronics, operating elements and built-in room temperature sensor
- Baseplate (mounting base)
- Removable battery compartment
- Fold-out stand

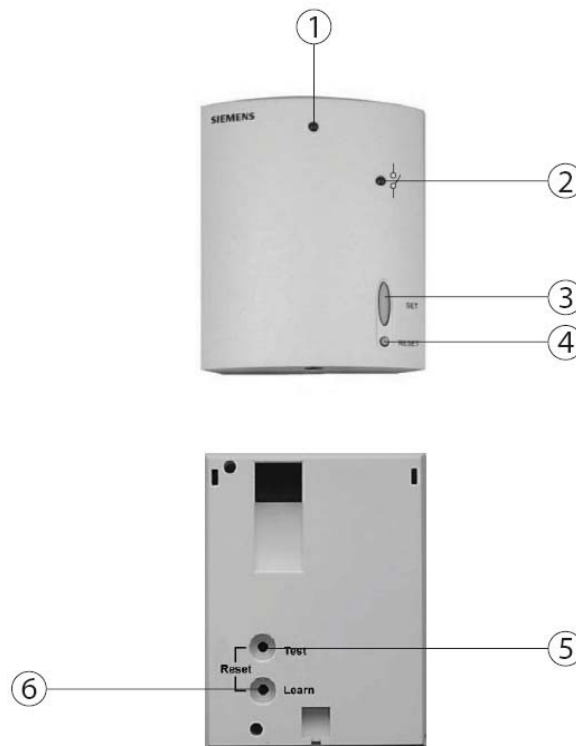
The housing engages in the baseplate and snaps on. The baseplate carries the screw terminals. There is a reset button on the rear of the unit.



Key

- 1 Display of the room temperature in °C
- 2 Indicates a request for heat
- 3 Temperature setting knob
- 4 Battery compartment
- 5 Comfort temperature setpoint
- 6 **RF TEST** Indicates RF signal test
- 7 Indicates low battery power; replace batteries

The RCR10/433 receiver is located in a plastic housing with LEDs and buttons.



Key

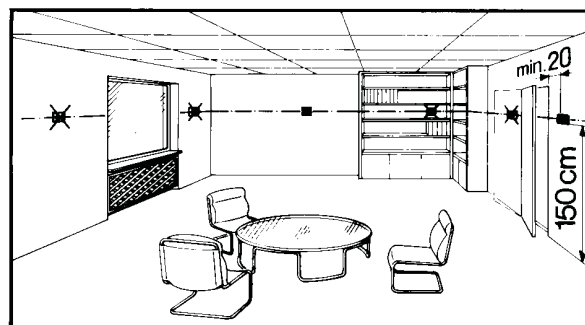
- 1 LED signal indicator
- 2 LED relay indicator
- 3 SET button
- 4 RESET button
- 5 Test button
- 6 Learn button

Notes

Mount the room temperature controller in a location where the air temperature can be acquired as accurately as possible without getting adversely affected by direct solar radiation or other heat or refrigeration sources.

The controller can also be used in a portable manner. It features a fold-out stand allowing it to be placed on a horizontal surface such as a bedside table.

Mounting height is about 1.5 m above the floor.



The unit can be fitted to a recessed conduit box.

Mounting, installation and commissioning

When mounting the controller, fix the baseplate first. The receiver does not require a baseplate. Make the electrical connections and fit and secure the receiver (also refer to the separate mounting instructions).

Mount the controller on a flat wall and in compliance with local regulations.

If there are thermostatic radiator valves in the reference room, set them to their fully open position.

Maintenance

Controller and receiver are maintenance-free.

Change of batteries

If battery symbol  appears, the batteries are almost exhausted and must be replaced.

Reset

To reset the controller, press both the Test and Learn buttons on the rear of the unit.

To reset the receiver, press the RESET button on the unit front.

All individual settings are then reset to their default values.

Technical data

Power supply	Operating voltage	DC 3 V (2 x 1.5 V AA alkaline batteries)
	Battery life	>1 year (AA alkaline batteries)
Sensor inputs	Internal:	
	Thermistor	10 kΩ ± 1% at 25 °C
Operational data	Switching differential SD	1 K
	Setpoint setting range	5...30 °C
	Factory setting comfort setpoint	20 °C
	Resolution of settings and displays	
	Setpoints	0.5 °C
Environmental conditions	Actual value displays	0.5 °C
	Operation	IEC 721-3-3
	Climatic conditions	Class 3K5
	Temperature	0...+40 °C
	Humidity	<90% r.h.
	Transport	IEC 721-3-2
	Climatic conditions	Class 2K3
	Temperature	-25...+60 °C
	Humidity	<95% r.h.
	Mechanical conditions	Class 2M2
Storage	IEC 721-3-1	
Climatic conditions	Class 1K3	
Temperature	-10...+60 °C	
Humidity	<90% r. h.	

Standards

General	CE conformity to	
	EMC directive	2004/108/EC
	Low-voltage directive	2006/95/EC
	Radio equipment	1999/5/EC
	C-tick conformity to	
	Test standards and requirements	EN 61000-6-3, AS/NZS 4251.1: 1999
	Test standards for radio equipment	AS/NZS 4268: 2003
	Product safety	
	Automatic electrical controls for household and similar use	EN 60 730-1 and EN 60 730-2-9
	Information technology equipment - Safety - General Requirements	EN 60950-1
	Generic standards - Compliance to lower power electronic apparatus	EN 50371-1
	Electromagnetic compatibility and radio spectrum matters—Short range devices	EN 300220-3 V1.1.1
	Electromagnetic compatibility and radio spectrum matters – EMC	EN 301489-3 V1.4.1
	Safety class	III as per EN 60950-1
	Pollution degree	2
Degree of protection of housing	IP20	
Weight (incl. package)		
RDH10RF/SET	515 g	
Color of housing front	Signal-white RAL 9003	
Housing material	ABS (LCD lens: PC)	

Receiver RCR10/433

General unit data

Operating voltage	AC 230 V +10/-15%
Power	<10 VA
Frequency	50...60 Hz
Switching capacity of relays	
Voltage	AC 24...250 V
Current	8 (3) A

Outputs

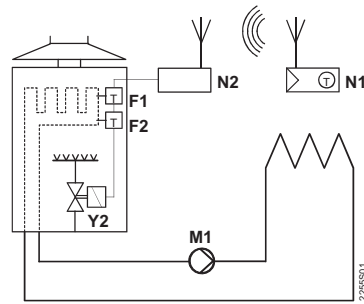


Switching outputs
(LX, L1, L2)

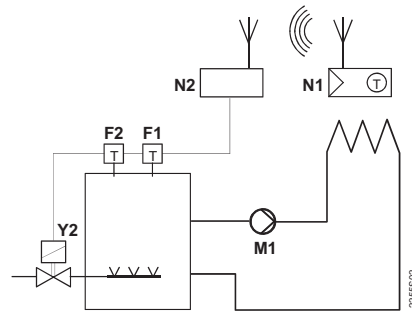
Relay contacts	
Switching voltage	Max. AC 250 V Min. AC 24 V
Switching current At 250 V	Max. 8 A res., 3 A ind. Min. 200 mA
Contact life at AC 250 V At 5 A res.	Guide value: 1 x 10 ⁵ cycles
Insulating strength	
Between relay contacts and coil	AC 5,000 V
Between relay contacts (same pole)	AC 2,500 V

Electrical connections

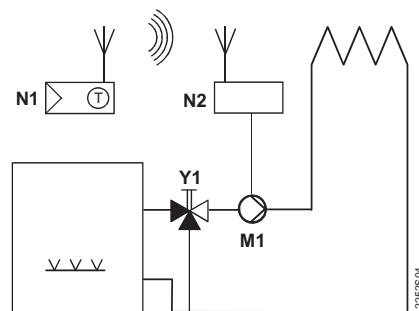
Connection terminals	Screw terminals
For solid wires	2 x 1.5 mm ²
For stranded wires	1 x 2.5 mm ² (min. 0.5 mm ²)



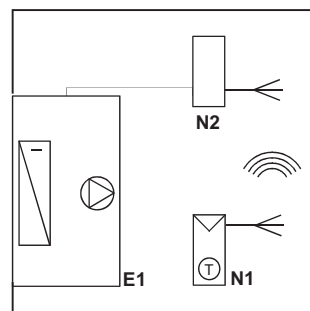
Wireless room temperature controller with receiver control of a gas-fired wall-hung boiler



Wireless room temperature controller with receiver control of atmospheric gas burner



Wireless room temperature controller with receiver control of a heating circuit pump (precontrol by manual mixing valve)



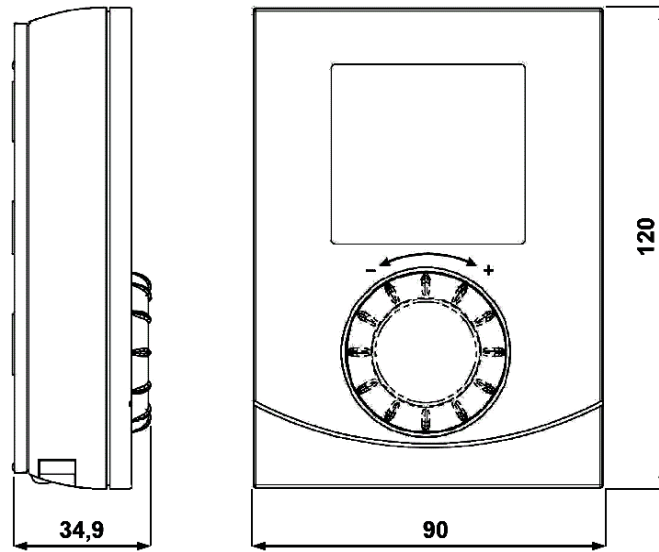
Wireless room temperature controller with receiver control of cooling equipment

F1 Thermal reset limit thermostat
 F2 Safety limit thermostat
 M1 Circulating pump

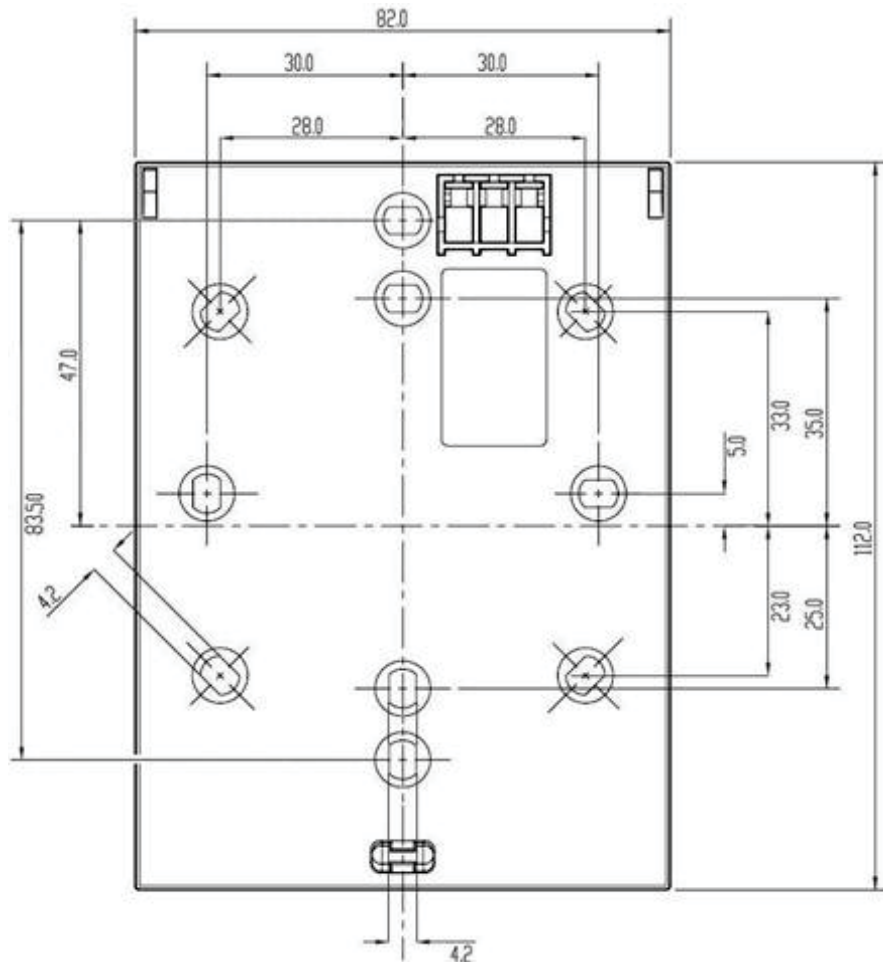
E1 Cooling equipment
 N1 Room temperature controller RDH10RF
 N2 Receiver RCR10/433
 Y1 3-port valve with manual adjustment
 Y2 Magnetic valve

Dimensions

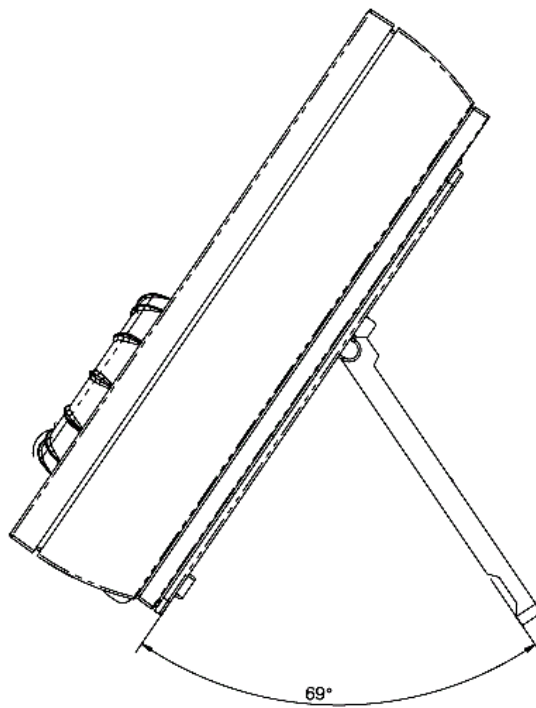
Room temperature controller



Baseplate



With fold-out stand



Receiver

